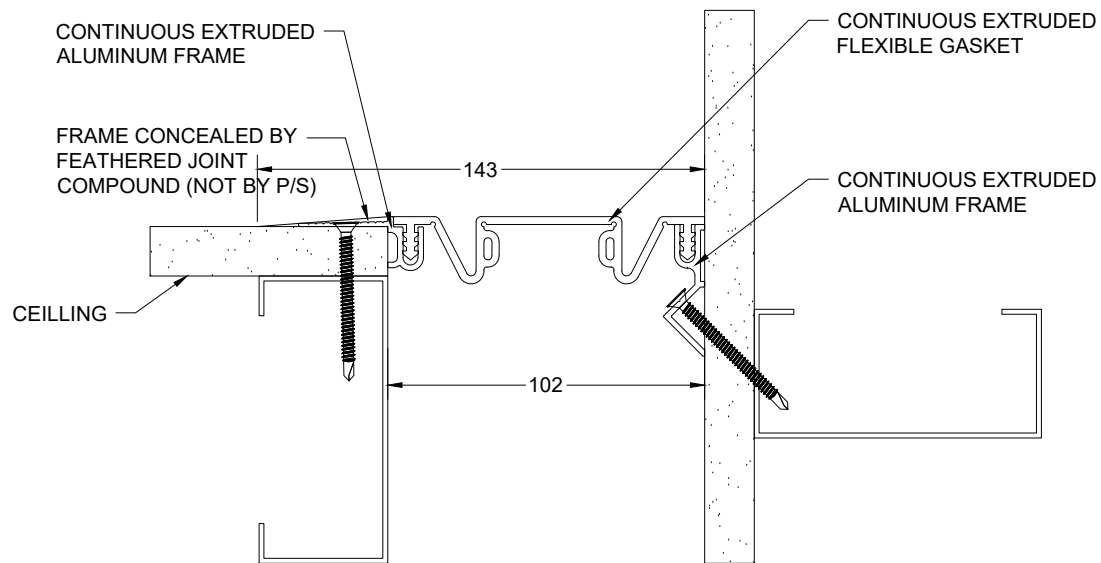


PWF-400



PWFC-400

1. THIS DRAWING IS A SOLE PROPERTY OF PINNACLE SOLUTIONS. DO NOT REPRODUCE THE DRAWING.
2. DO NOT SCALE ON THE DRAWING. USE ONLY THE SIZES/DISTANCE AVAILABLE.
3. ALL DIMENSIONS ARE IN MILLIMETRES OTHERWISE SPECIFIED.

REFERENCE DRAWING/DOCUMENT:

| | |
|---------------------|--|
| STATUS | |
| ISSUED FOR APPROVAL | |

| | | | | | |
|--|--|--|--|--|--|
| | | | | | |
|--|--|--|--|--|--|

| DATE | REV. | DRAWING NO. | Drawn By | Checked By | App'd |
|------|------|-------------|----------|------------|-------|
| | | | | | |



PROJECT TITLE

Drg. Title
EXPANSION JOINT DETAIL OF PWF

Date: 03-08-2023 Scale: NTS

Drawing No: Rev. R0