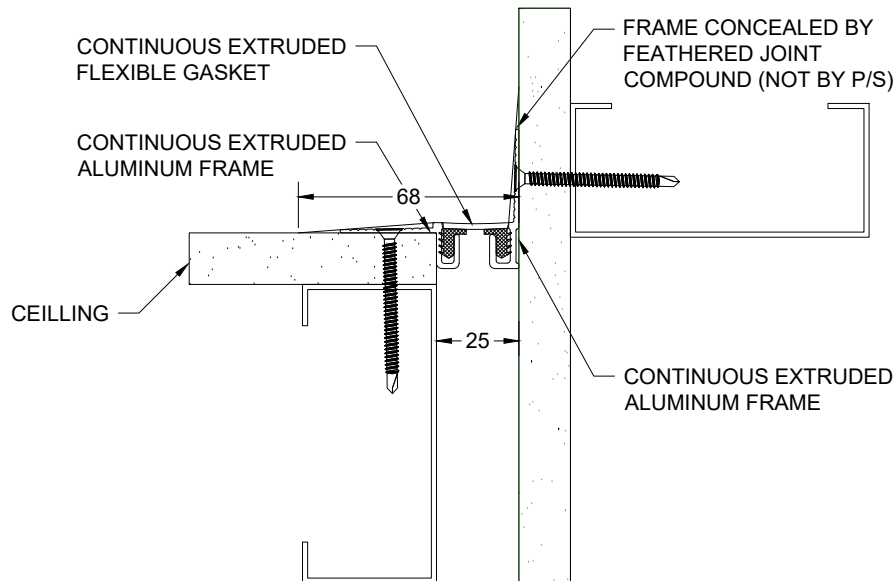


PWF-100



PWFC-100

GENERAL NOTES:-

1. THIS IS DRAWING IS A SOLE PROPERTY OF PINNACLE SOLUTIONS. DO NOT REPRODUCE THE DRAWING.
2. DO NOT SCALE ON THE DRAWING. USE ONLY THE SIZES/DISTANCE AVAILABLE.
3. ALL DIMENSIONS ARE IN MILLIMETRES OTHERWISE SPECIFIED.

REFERENCE DRAWING/DOCUMENT:

STATUS

ISSUED FOR APPROVAL

| DATE | REV. | DRAWING NO. | Drawn By | Checked By | App'd |
|------|------|-------------|----------|------------|-------|
| | | | | | |



PROJECT TITLE

Drg. Title

EXPANSION JOINT DETAIL OF PWF

Date: 03-08-2023

Scale: NTS

Drawing No:

Rev.
R0