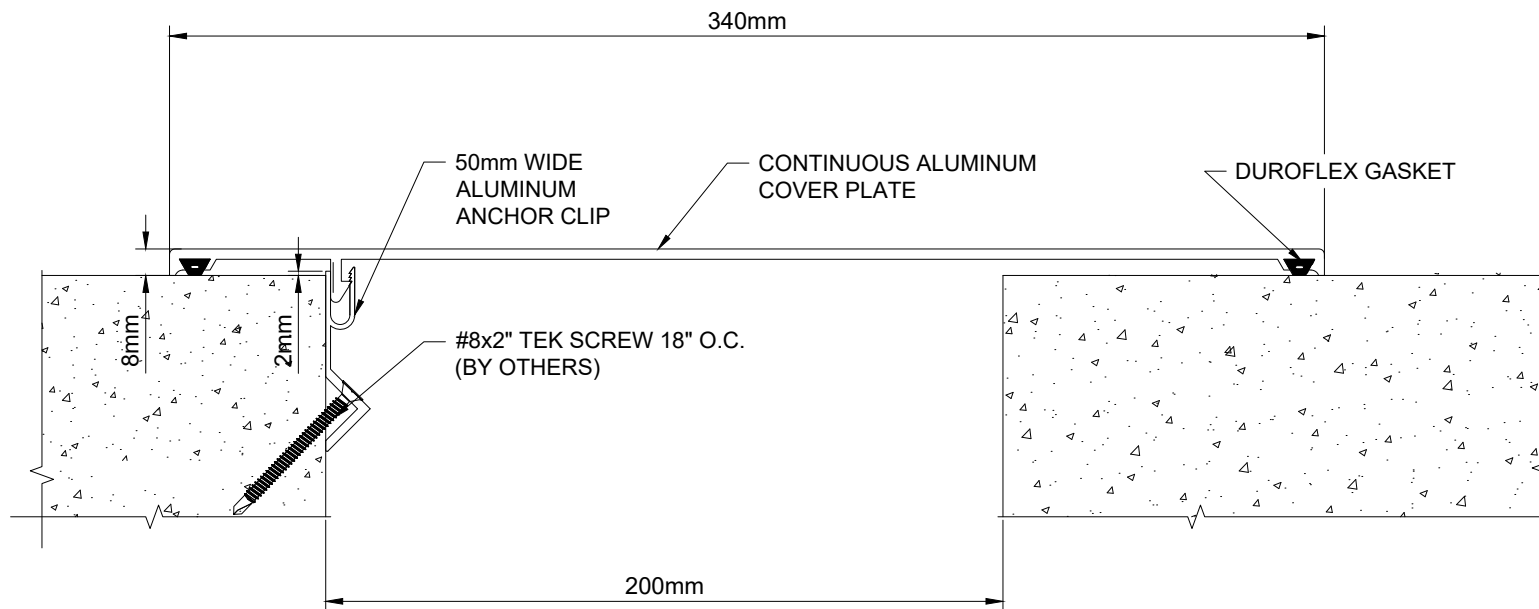
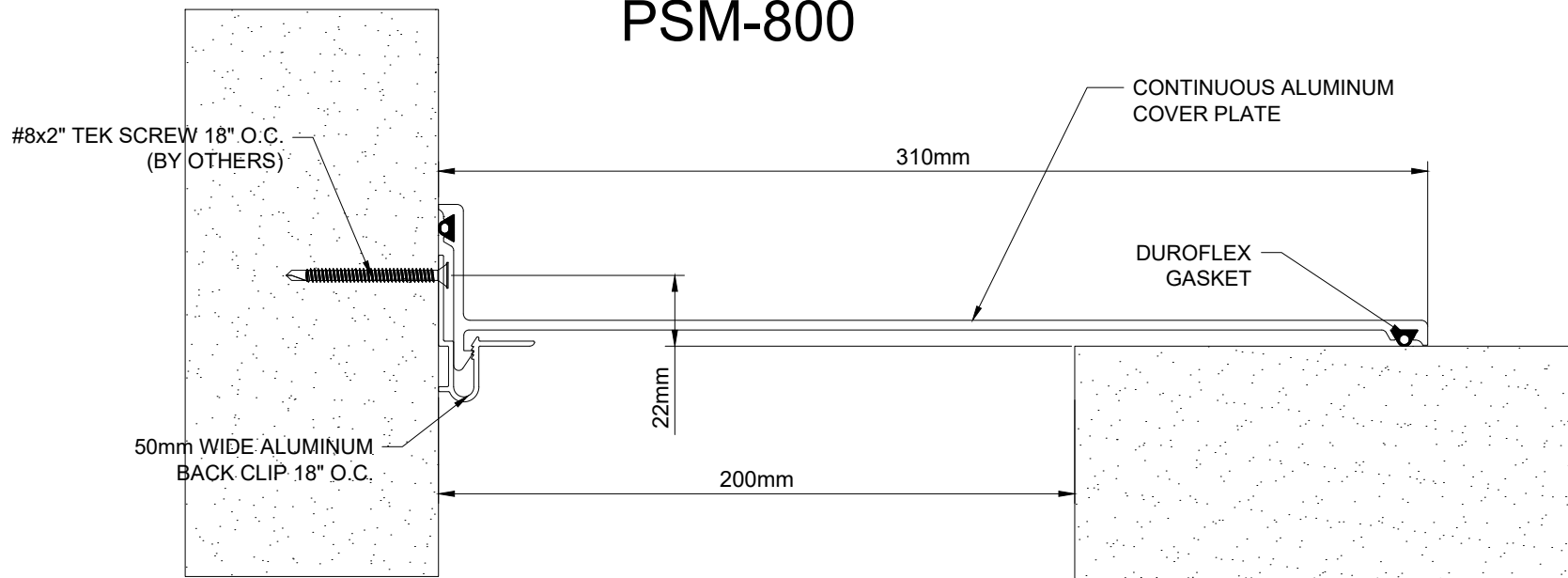


**GENERAL NOTES:-**

1. THIS IS DRAWING IS A SOLE PROPERTY OF PINNACLE SOLUTION. DO NOT REPRODUCE THE DRAWING.
2. DO NOT SCALE ON THE DRAWING. USE ONLY THE SIZES/DISTANCE AVAILABLE.
3. ALL DIMENSIONS ARE IN MILLIMETRES OTHERWISE SPECIFIED.



**PSM-800**



**PSMC-800**

REFERENCE DRAWING/DOCUMENT:

STATUS
ISSUED FOR APPROVAL

DATE	REV.	DRAWING NO.	Drawn By	Checked By	App'd



PROJECT TITLE

Drg. Title  
EXPANSION JOINT DETAIL OF  
PSM-800 & PSMC-800

Date: 01-08-2023 Scale: NTS

Drawing No: Rev.  
R0