

**GENERAL NOTES:-**

1. THIS IS DRAWING IS A SOLE PROPERTY OF PINNACLE SOLUTION. DO NOT REPRODUCE THE DRAWING.
2. DO NOT SCALE ON THE DRAWING. USE ONLY THE SIZES/DISTANCE AVAILABLE.
3. ALL DIMENSIONS ARE IN MILLIMETRES OTHERWISE SPECIFIED.

**REFERENCE DRAWING/DOCUMENT:**

**STATUS**

**ISSUED FOR APPROVAL**

DATE	REV.	DRAWING NO.	Drawn By	Checked By	App'd



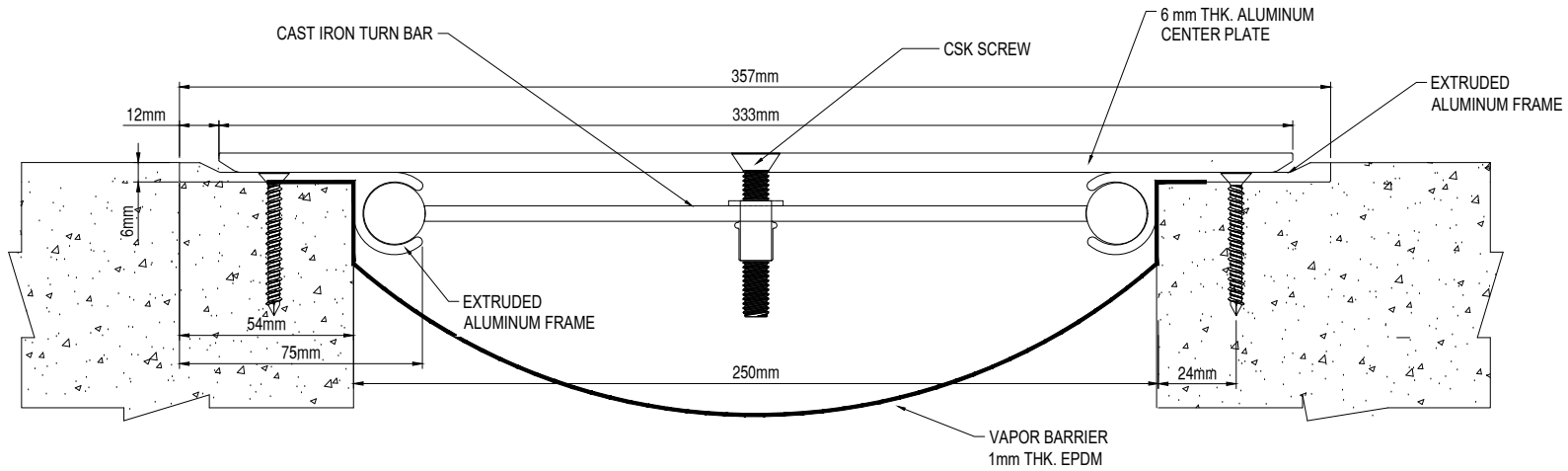
**PROJECT TITLE**

**Drg. Title**

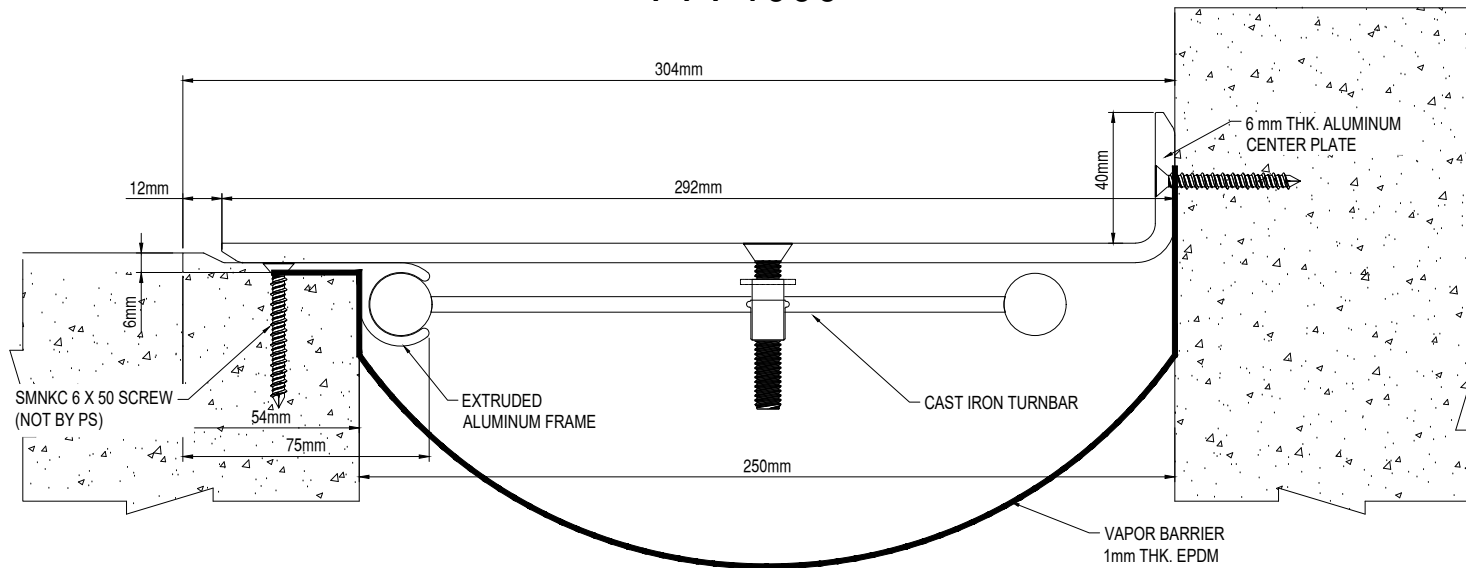
**EXPANSION JOINT DETAIL**

**Date:** 01-08-2023 **Scale:** NTS

**Drawing No:** **Rev.**  
R0



**PFI-1000**



**PFIW-1000**