

# EXPANSION JOINTS COVER SYSTEMS

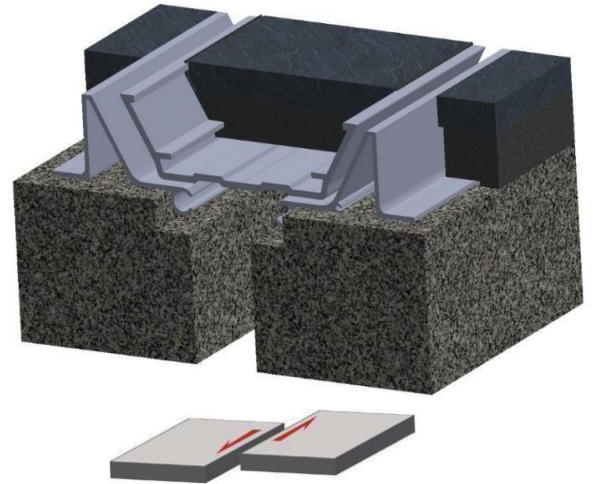
## PSR & PSRW 500-2400

### Technical Data:

#### Aluminium

- Extrusion – PS uses multiple alloys & tempers which are established to be the most appropriate for the given use are (6063-T5, T6, T52) as per ASTM B221
- Profiles can be customised as per following alloys (6061-T5, T6, T51) (6105T5, T6) (6005-T5) (6005A-T5, T61) as per ASTM B221
- Sheet – 19000 M, 19000 H2, 31000 H2, 31000 H3, 1100/1200
- Turnbar  
Stainless Steel turnbar -Type 304 as per ASTM A167
- Standard Loading:  
500 lbs.
- Center Pan  
1 1/2" depth  
Pan accepts flooring material up to 1 1/2" thick

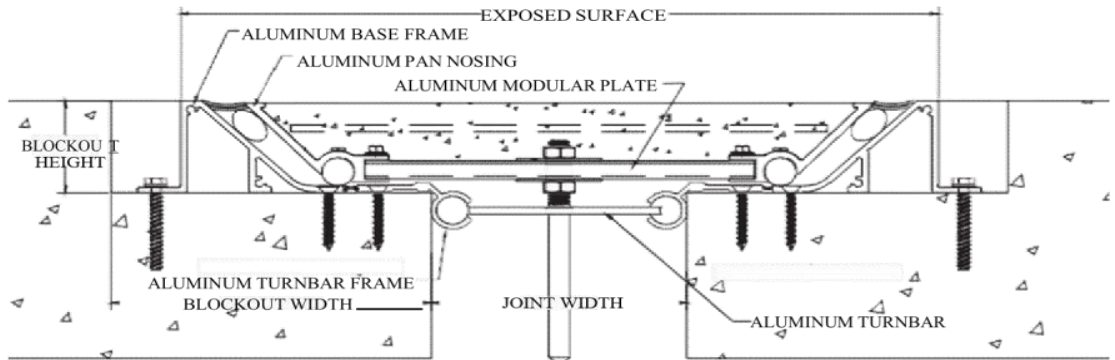
100% Movement Models



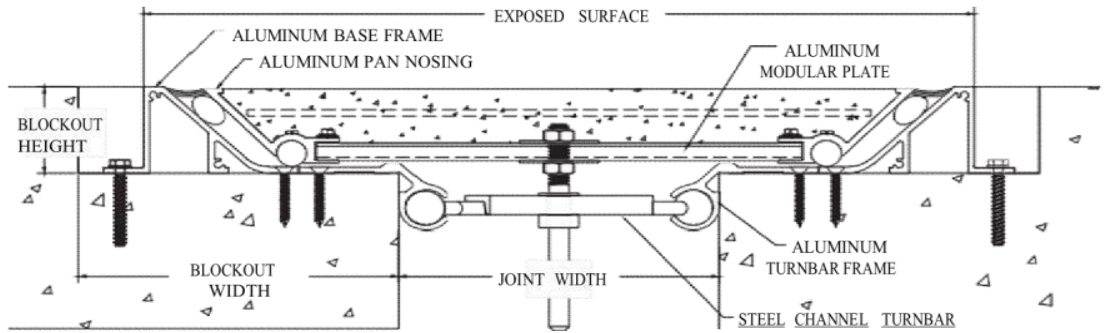
MODEL	JOINT WIDTH	MINIMUM OPENING	MAXIMUM OPENING	EXPOSED SURFACE	BLOCKOUT WIDTH	BLOCKOUT HEIGHT
PSR-600	152mm	70mm	232mm	451mm	191mm	64mm
PSR-800	203mm	108mm	311mm	527mm	203mm	64mm
PSR-1000	254mm	108mm	387mm	603mm	216mm	64mm
PSR-1200	305mm	108mm	464mm	679mm	229mm	64mm
PSR-1400	356mm	108mm	540mm	756mm	241mm	64mm
PSR-1600	406mm	108mm	616mm	832mm	254mm	64mm
PSR-1800	457mm	108mm	692mm	908mm	267mm	64mm
PSR-2000	508mm	108mm	768mm	984mm	279mm	64mm
PSR-2200	559mm	108mm	845mm	1060mm	292mm	64mm
PSR-2400	610mm	108mm	921mm	1137mm	305mm	64mm

# EXPANSION JOINTS COVER SYSTEMS

PSR 500-700



PSR 800-2400



MODEL	JOINT WIDTH	MINIMUM OPENING	MAXIMUM OPENING	EXPOSED SURFACE	BLOCKOUT WIDTH	BLOCKOUT HEIGHT
PSRW-600	152mm	27mm	248mm	348mm	236mm	64mm
PSRW-800	203mm	27mm	324mm	424mm	262mm	64mm
PSRW-1000	254mm	27mm	400mm	500mm	287mm	64mm
PSRW-1200	305mm	27mm	476mm	576mm	313mm	64mm
PSRW-1400	356mm	27mm	552mm	653mm	338mm	64mm
PSRW-1600	406mm	27mm	629mm	729mm	363mm	64mm
PSRW-1800	457mm	27mm	705mm	805mm	389mm	64mm
PSRW-2000	508mm	27mm	781mm	881mm	414mm	64mm
PSRW-2200	559mm	27mm	857mm	957mm	440mm	64mm
PSRW-2400	610mm	27mm	933mm	1034mm	465mm	64mm

## EXPANSION JOINTS COVER SYSTEMS

