

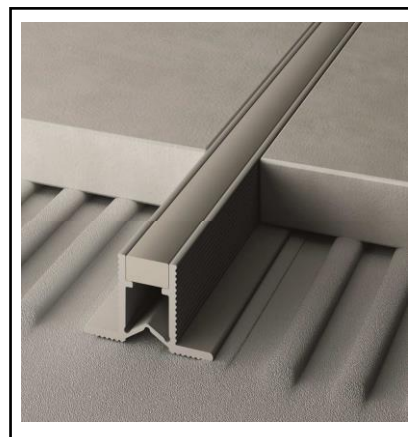
Description

PS-MJ-ALU is a range of movement joints for ceramic tiled floors which are normally subject to expansion/movement.

They are especially recommended for large surface areas, along movement joints in the concrete slab to absorb expansion and/or contraction movements and deaden vibrations.

PS-MJ-ALU are co-extruded Aluminium profiles to create joints which can accommodate movement when laying tiled floors.

Details of joint specifications and distance between them must be specified by an engineer.



PS-MJ-ALU

Materials

Extrusion-

PS uses multiple alloys & tempers which are established to be the most appropriate for the given use of individual parts. Will be one of the following: (6063-T5, T6, T52) (6061-T5, T6, T51) (6105T5, T6) (6005-T5) (6005A-T5, T61), ASTM B221

Fixing

Fixing with adhesive

Remove the profile from the packaging.

Check that the thickness of the covering/flooring to be laid is not greater than the dimension of the profile. Measure the length required and cut the profile to this length using an appropriate tool.

Level the adhesive on the laying surface using a toothed spreader.

Press the perforated surfaces of the joint into the adhesive and line it up perfectly with the one in the substrate.

Lay the tiles near the joint so that the profile edge is flush with the tile edge and at the right distance to leave the necessary gap (usually 1-2mm).

Fill any gaps left between the tile and the profile with a suitable grout.

Remove any excess grout, adhesive, solvents etc. with a soft sponge and water within ten minutes of application.

Care and maintenance

Care and maintenance procedures for the materials used to make these profiles depends largely on the type of alloy and/or finish used.

The instructions provided below describe the operations to be performed on the profile to restore it as much as possible to its original condition. The purpose of this document is to provide as many general indications as possible to guide you on when and how to clean the product, but they should also be verified on a case-by-case basis.

It should be pointed out there are specific responsibilities in each part of the product's life cycle, starting from when it is installed the first time.

Fire prevention measures

In the event of fire, use chemical fire extinguishers, dry sand or solid extinguishing agents.

Notes:

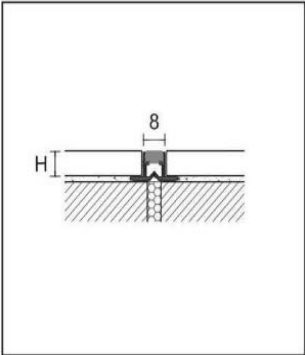


These profiles must be handled with caution, being careful to wear suitable gloves to prevent injury and/or cuts to the hands.

The instructions and specifications provided here are the product of our experience but are only a guide, should not be considered exhaustive and must be confirmed by extensive practical applications.

Pinnacle declines any responsibility for damage to people or things resulting from improper use of the product.

Users must establish for themselves if the product is suitable for the required used and they bear full responsibility for any incorrect installation of the material.

PS-MJ-ALU:

	ART. finishing
	CO-EXTRUDED PVC
grey+grey RAL 7035	
stone grey+stone grey RAL 7030	
cream white+cream white RAL 9001	