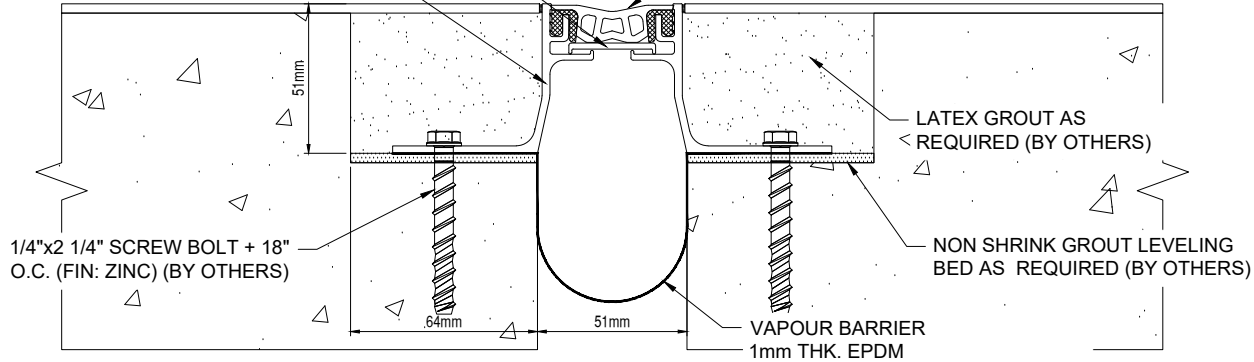


CONTINUOUS EXTRUDED ALUMINUM CENTER PLATE

CONTINUOUS EXTRUDED ALUMINUM FRAME

CONTINUOUS EXTRUDED SANTOPRENE GASKET

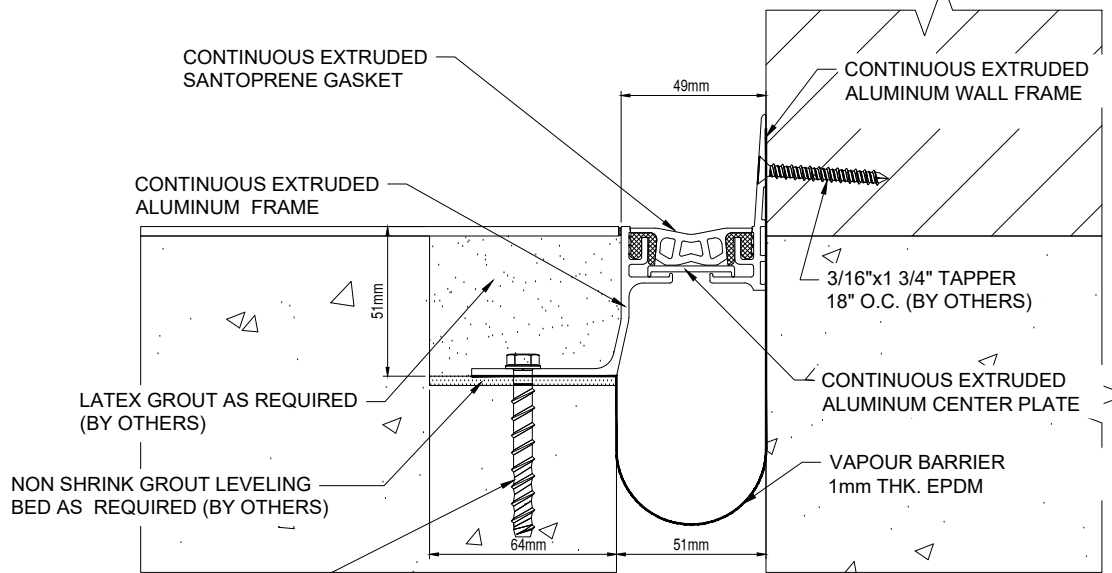


**PFT-200x2**

CONTINUOUS EXTRUDED SANTOPRENE GASKET

CONTINUOUS EXTRUDED ALUMINUM FRAME

CONTINUOUS EXTRUDED ALUMINUM WALL FRAME



**PFTW-200x2**

**GENERAL NOTES:-**

1. THIS IS DRAWING IS A SOLE PROPERTY OF PINNACLE SOLUTIONS. DO NOT REPRODUCE THE DRAWING.
2. DO NOT SCALE ON THE DRAWING. USE ONLY THE SIZES/DISTANCE AVAILABLE.
3. ALL DIMENSIONS ARE IN MILLIMETRES OTHERWISE SPECIFIED.

**REFERENCE DRAWING/DOCUMENT:**

STATUS	
ISSUED FOR APPROVAL	

DATE	REV.	DRAWING NO.	Drawn By	Checked By	App'd



PROJECT TITLE

Drg. Title  
EXPANSION JOINT DETAIL

Date: 03-08-2023      Scale: NTS

Drawing No:      Rev. R0