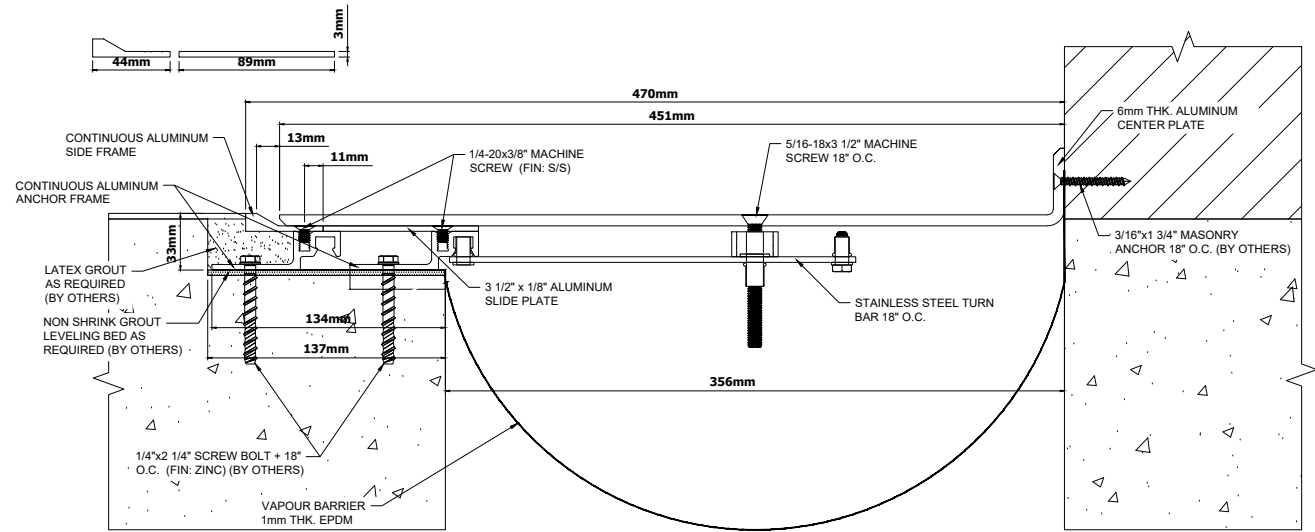


PJPF-1400



PJPFW-1400

- GENERAL NOTES:-**
1. THIS IS DRAWING IS A SOLE PROPERTY OF PINNACLE SOLUTION. DO NOT REPRODUCE THE DRAWING.
  2. DO NOT SCALE ON THE DRAWING. USE ONLY THE SIZES/DISTANCE AVAILABLE.
  3. ALL DIMENSIONS ARE IN MILLIMETRES OTHERWISE SPECIFIED.

REFERENCE DRAWING/DOCUMENT:

STATUS  
ISSUED FOR APPROVAL

DATE	REV.	DRAWING NO.	Drawn By	Checked By	App'd



PROJECT TITLE

Drg. Title  
EXPANSION JOINT DETAIL

Date: 22-06-2023 Scale: NTS

Drawing No: Rev. R0