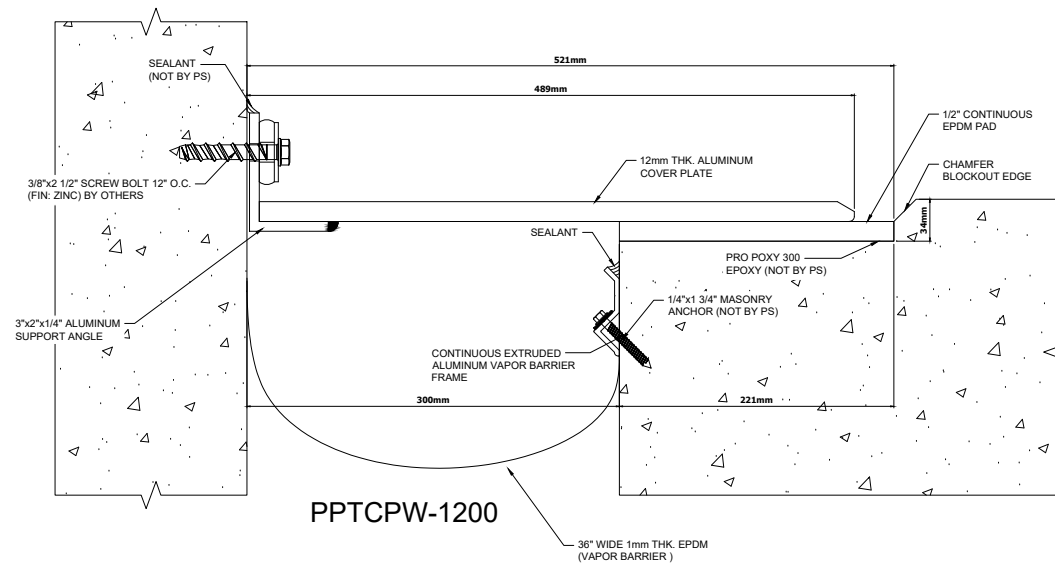


PPTCP-1200



PPTCPW-1200


**GENERAL NOTES:-**

1. THIS IS DRAWING IS A SOLE PROPERTY OF PINNACLE SOLUTIONS. DO NOT REPRODUCE THE DRAWING.
2. DO NOT SCALE ON THE DRAWING. USE ONLY THE SIZES/DISTANCE AVAILABLE.
3. ALL DIMENSIONS ARE IN MILLIMETRES OTHERWISE SPECIFIED.

**REFERENCE DRAWING/DOCUMENT:**

<b>STATUS</b>	
ISSUED FOR APPROVAL	

DATE	REV.	DRAWING NO.	Drawn By	Checked By	App'd


  
**PINNACLE**®
   
 EXPANSION JOINTS COVER SYSTEMS
   
 PROJECT TITLE

Drg. Title  
 EXPANSION JOINT DETAIL OF  
 PPTCP

Date: 03-08-2023      Scale: NTS

Drawing No: \_\_\_\_\_      Rev. R0