

EXPANSION JOINTS COVER SYSTEMS

PBRJ & PBRJW

TECHNICAL DATA:

Flanges (*=Optional flanges – Galvanized is standard)

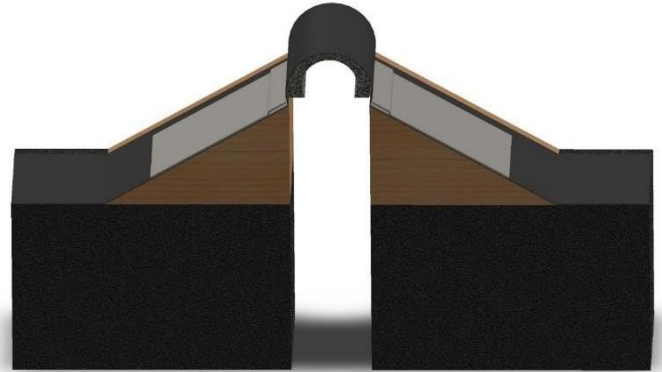
- Galvanized Steel - 26 Gage
- Stainless Steel* - 0.018" • Aluminum* - 0.032"
- Copper* - 16 Oz..
- Welded PVC* (Available with PVC membrane only)

Membrane (*=Optional material – EPDM is standard)

- EPDM – 60 Mil, Black
- Neoprene* – 60 Mil, Black
- PVC* – 60 Mil or 80 Mil reinforced, White

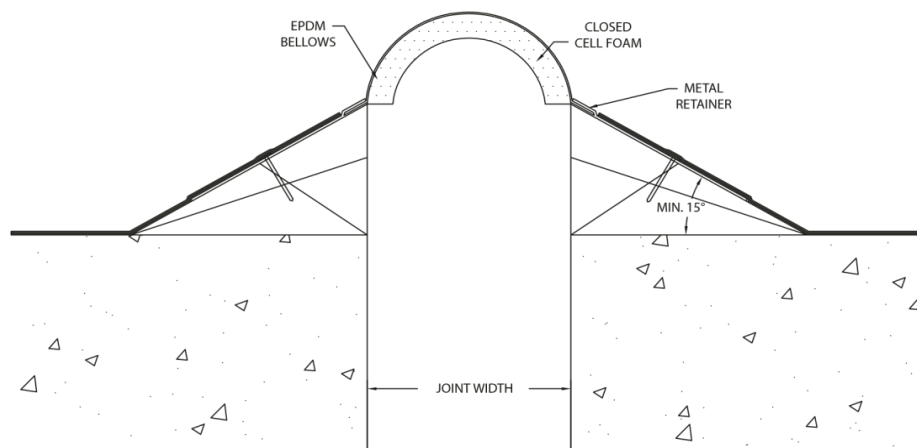
Support Foam

- K Factor – 0.25 @ Ambient
- Thickness – Varies per Joint Size



Capable of Lateral Movement

MODEL	JOINT WIDTH	MINIMUM OPENING	MAXIMUM OPENING	EXPOSED SURFACE	BLOCKOUT WIDTH	BLOCKOUT HEIGHT
PBRJ-100	25mm	0 mm	76mm	N/A	N/A	N/A
PBRJ-200	51mm	0 mm	76mm	N/A	N/A	N/A
PBRJ-400	102mm	0 mm	152mm	N/A	N/A	N/A
PBRJ-600	152mm	0 mm	229mm	N/A	N/A	N/A
PBRJ-800	203mm	0 mm	305mm	N/A	N/A	N/A
PBRJ-1000	254mm	0 mm	381mm	N/A	N/A	N/A
PBRJ-1200	305mm	0 mm	457mm	N/A	N/A	N/A
PBRJ-1400	356mm	0 mm	533mm	N/A	N/A	N/A
PBRJ-1600	406mm	0 mm	610mm	N/A	N/A	N/A



EXPANSION JOINTS COVER SYSTEMS

MODEL	JOINT WIDTH	MINIMUM OPENING	MAXIMUM OPENING	EXPOSED SURFACE	BLOCKOUT WIDTH	BLOCKOUT HEIGHT
PBRJW-100	25mm	0 mm	76mm	N/A	N/A	N/A
PBRJW-200	51mm	0 mm	76mm	N/A	N/A	N/A
PBRJW-400	102mm	0 mm	152mm	N/A	N/A	N/A
PBRJW-600	152mm	0 mm	229mm	N/A	N/A	N/A
PBRJW-800	203mm	0 mm	305mm	N/A	N/A	N/A
PBRJW-1000	254mm	0 mm	381mm	N/A	N/A	N/A
PBRJW-1200	305mm	0 mm	457mm	N/A	N/A	N/A
PBRJW-1400	356mm	0 mm	533mm	N/A	N/A	N/A
PBRJW-1600	406mm	0 mm	610mm	N/A	N/A	N/A

PBRJW

