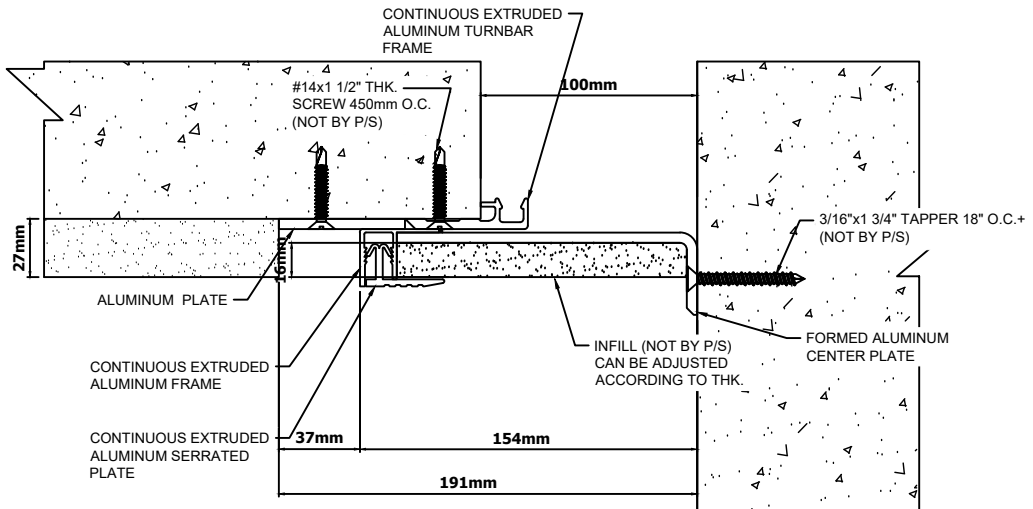


PCJ-400



PCJC-400

GENERAL NOTES:-

1. THIS IS DRAWING IS A SOLE PROPERTY OF PINNACLE SOLUTIONS. DO NOT REPRODUCE THE DRAWING.
2. DO NOT SCALE ON THE DRAWING. USE ONLY THE SIZES/DISTANCE AVAILABLE.
3. ALL DIMENSIONS ARE IN MILLIMETRES OTHERWISE SPECIFIED.

REFERENCE DRAWING/DOCUMENT:

STATUS					
ISSUED FOR APPROVAL					

DATE	REV.	ISSUED BY	DESIGNED BY	CHECKED BY	APP'D



PROJECT TITLE

Dr. Title
EXPANSION JOINT DETAIL OF PPTCP-1000

Date: 03-08-2023 Scale: NTS

Drawing No: Rev. RO