

**GENERAL NOTES:-**

1. THIS IS DRAWING IS A SOLE PROPERTY OF PINNACLE SOLUTIONS. DO NOT REPRODUCE THE DRAWING.
2. DO NOT SCALE ON THE DRAWING. USE ONLY THE SIZES/DISTANCE AVAILABLE.
3. ALL DIMENSIONS ARE IN MILLIMETRES OTHERWISE SPECIFIED.

**REFERENCE DRAWING/DOCUMENT:**

|                     |  |
|---------------------|--|
| <b>STATUS</b>       |  |
| ISSUED FOR APPROVAL |  |

| DATE | REV. | DRAWING NO. | Drawn By | Checked By | App'd |
|------|------|-------------|----------|------------|-------|
|      |      |             |          |            |       |

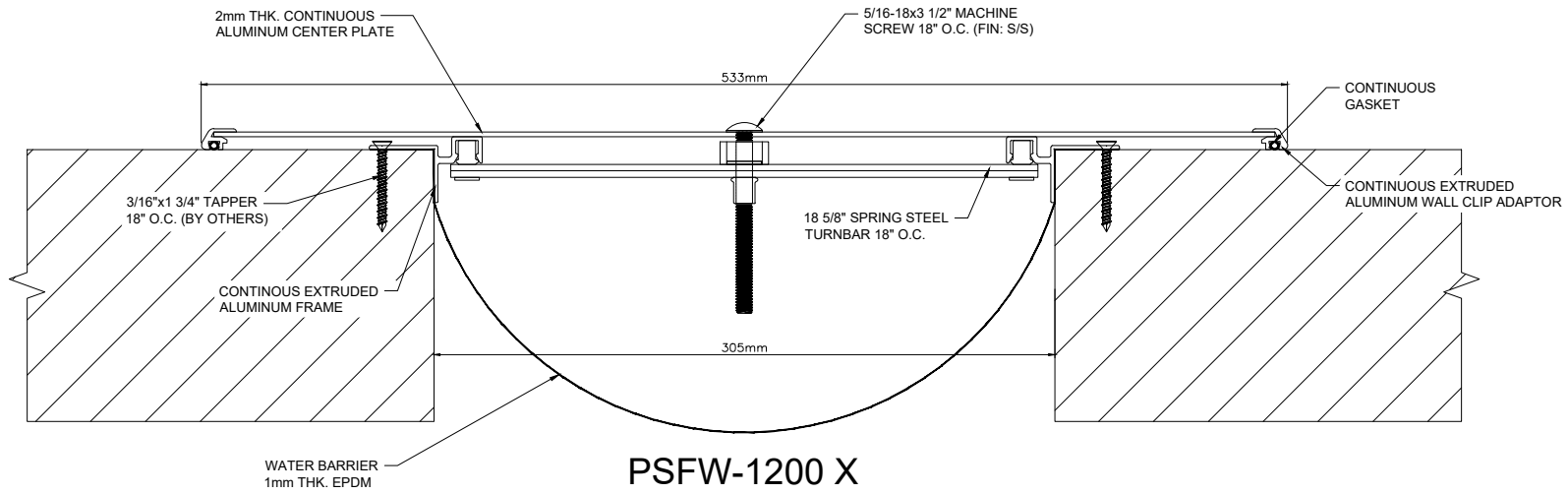


**PROJECT TITLE**

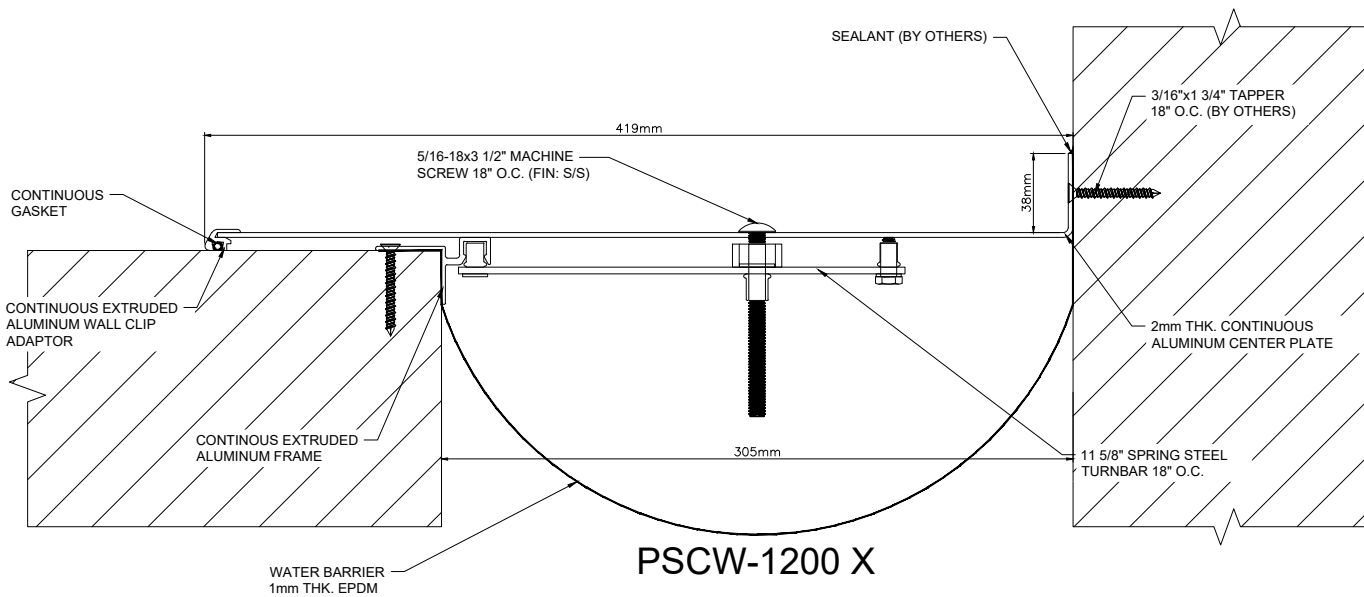
**Drg. Title**  
EXPANSION JOINT DETAIL

Date: 03-08-2023      Scale: NTS

Drawing No:      Rev. RO



**PSFW-1200 X**



**PSCW-1200 X**