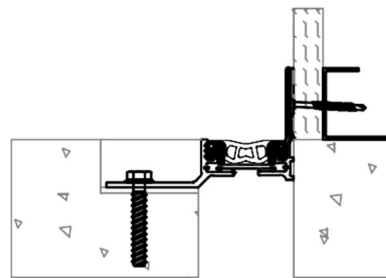
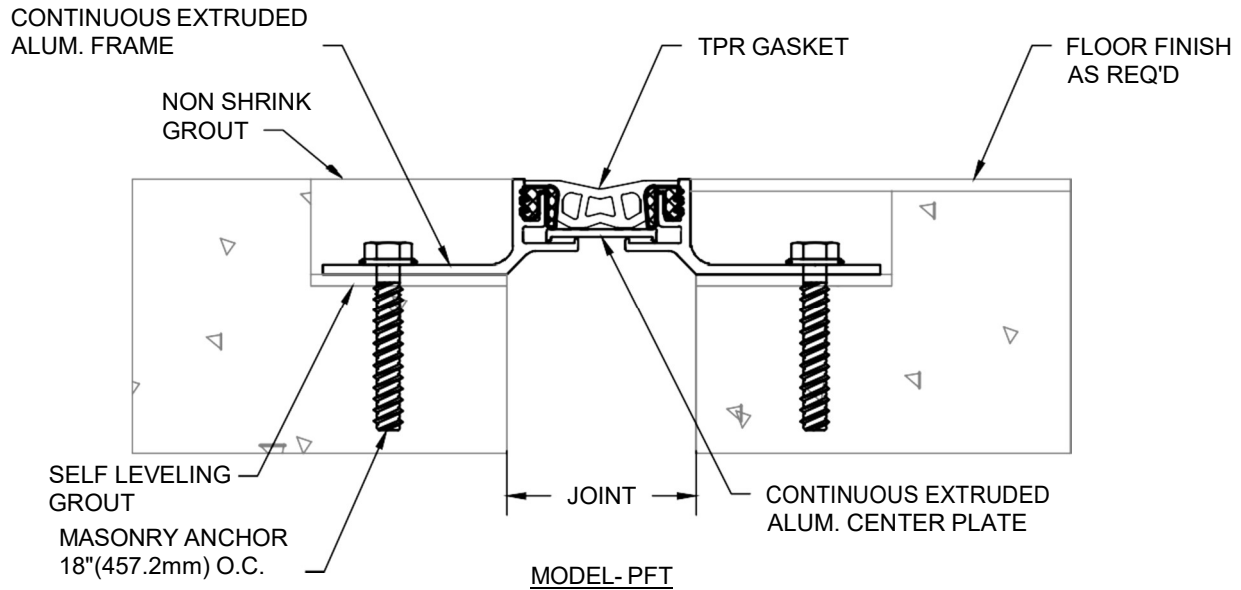


MODEL PFT & PFTW INSTALLATION INSTRUCTIONS



IMPORTANT INFORMATION

Prior to the commencement of Installation, all materials MUST be inspected for Damage. Any damage must be reported to PINNACLE SOLUTIONS, as soon as possible, so that replacement materials may be furnished without delay.

All work must be completed as per Architect's Approved "Shop Drawings", and in accordance with these Installation Instructions. When installation is complete, all materials must be protected from damage until the Architect's FINAL INSPECTION.

All materials should be arranged in the order that they are to be installed. All hardware required for each portion of the work should be placed with the appropriate materials.

Please review all Approved Shop Drawings and this Document to familiarize yourself with all the details and components of this assembly.

IMPORTANT:

READ THROUGH ALL INSTRUCTIONS PRIOR TO STARTING INSTALLATION

Notes:

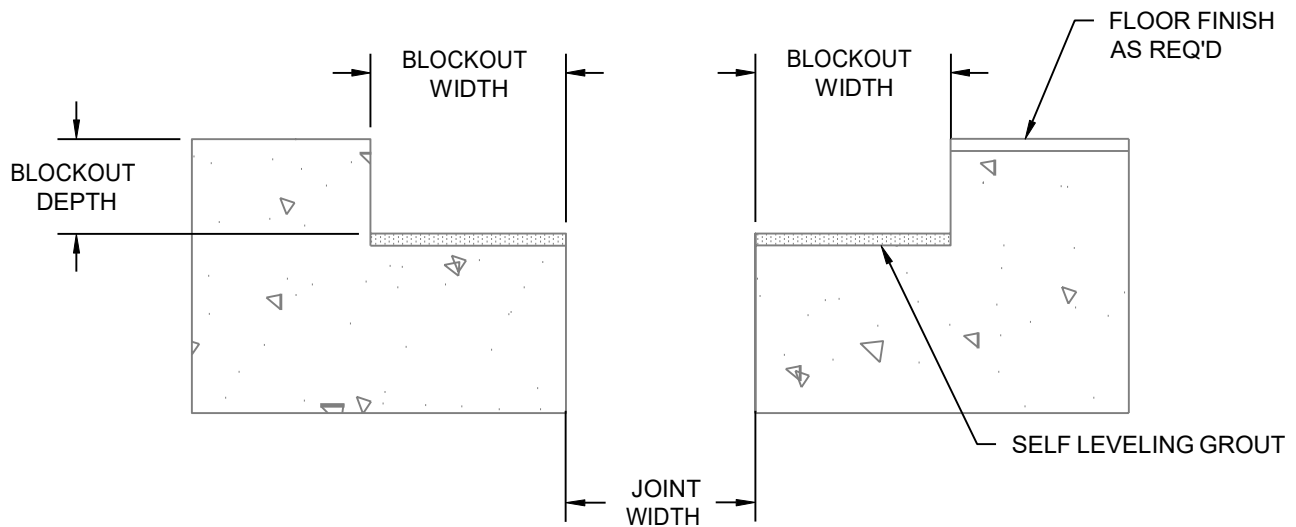
Before beginning installation, review the architectural drawings and approved PINNACLE SOLUTIONS. shop drawings to familiarize yourself with the appropriate joint cover models and locations.

Check all of the joint cover components to confirm that the correct joint cover model and size have been received. Also, check for materials that may have been damaged during shipping. Report all incorrect and/or damaged components to PS.

Read through all the steps of these instructions prior to beginning work.

STEP 1

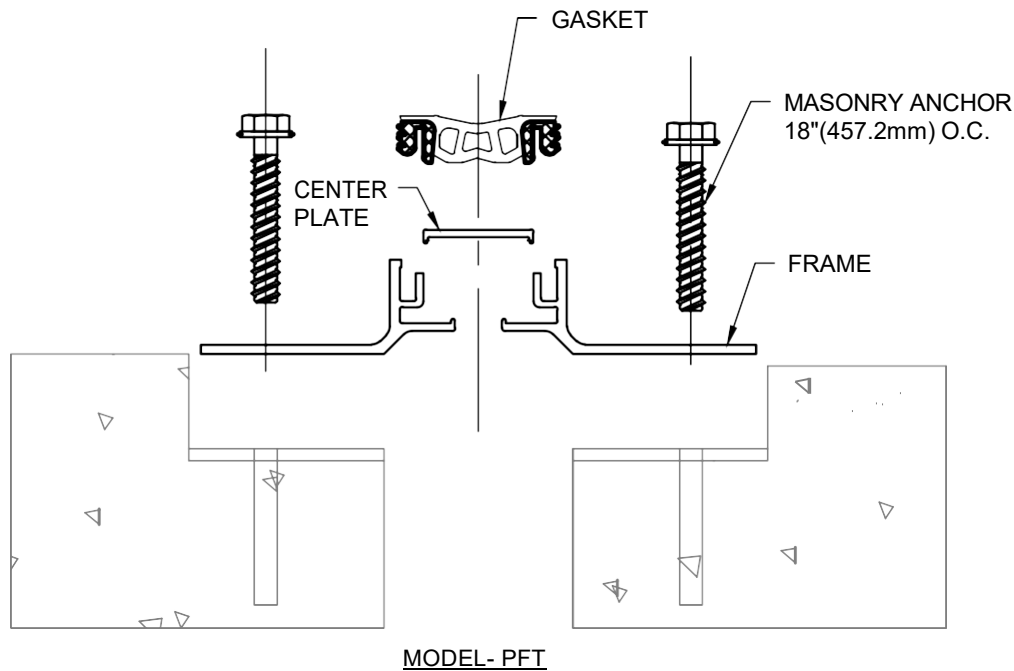
PREPARE BLOCKOUTS



- 1.1) The blockouts must be prepared to receive the joint cover.
- The blockout width will vary with model as noted on the PS shop drawings.
 - The blockout depth will vary (1" to 3") as noted on the PS shop drawings. Depth may be adjusted as needed to accommodate a floor finish material when required and as indicated on the architectural drawings and/or PS shop drawings.
 - It is recommended that the blockout be formed a minimum of 1/8" deeper to allow the blockouts to be leveled for installation of the joint cover.
 - Apply a high-strength self leveling grout to the base of the blockouts to provide a continuous, solid, flat and level base for the joint cover. (Note: The blockouts must be level across the width of the joint.)

STEP 2

BLOCKOUT FLOOR INSTALLATION



Notes:

-If a PS Fire Barrier is to be installed in the joint, please review the Fire Barrier Installation Instructions supplied, and if required install the Fire Barrier **BEFORE** installation of PS Seismic Expansion Joint Aluminum Frames.

-If a Waterstop is to be installed in the joint, please review the Waterstop Installation Instructions supplied, and if required install the Waterstop **BEFORE** installation of PS Seismic Expansion Joint Aluminum Frames.

Note: Model PFT 200 will require installation of center plate into frames.

2.1) Methods of Installation:

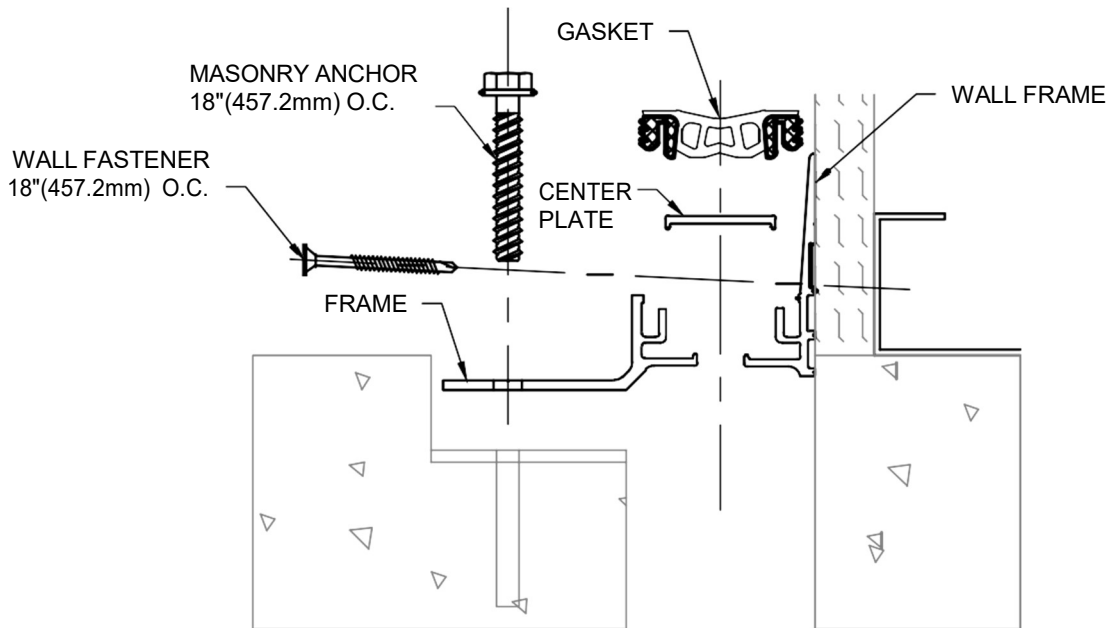
- A) Cut several 2" pieces of seal to be used as spacers. Install spacers into frames. Cut assembly to length as needed for the run.
- B) Cut the length of seal as needed for the run and install into the aluminum frames.

Recommended Installation Tips for Seal:

- 1) Unroll seal material and allow exposure to sun to soften, becoming more pliable. Spray the back of the seal with a soapy water solution, to aid in installation.
 - 2) Soak seal in a hot water bath to soften seal.
- 2.2) Using the Assembly (Frames and seal) as a template, place a length of the Assembly into the blockout and mark the locations of the fasteners. Remove the Assembly and drill the holes for the anchor bolts. The holes are to be drilled with the appropriate size and type of drill bit as indicated on the PS Shop Drawings or by the manufacturer of the PS supplied fasteners.
- 2.3) Reposition and attach the Frames to the slab with the PS supplied anchor bolts following the manufacturer's guidelines.
- 2.4) If 2" Spacers were used in frames, remove spacers once frames are installed. Insert continuous seal lengths, using tips above, into the frames. Seal can be engaged using a rubber mallet and wood block. (A seam roller may also be used to engage seal)
- 2.5) Repeat this installation procedure for any additional lengths of the assembly.

STEP 3

FLOOR TO WALL APPLICATION



MODEL- PFTW

Notes:

-If a PS Fire Barrier is to be installed in the joint, please review the Fire Barrier Installation Instructions supplied, and if required install the Fire Barrier **BEFORE** installation of PS Seismic Expansion Joint Aluminum Frames.

-If a Waterstop is to be installed in the joint, please review the Waterstop Installation Instructions supplied, and if required install the Waterstop **BEFORE** installation of PS Seismic Expansion Joint Aluminum Frames.

Note: Model PFTW 200 will require installation of center plate into frames.

3.1) Methods of Installation:

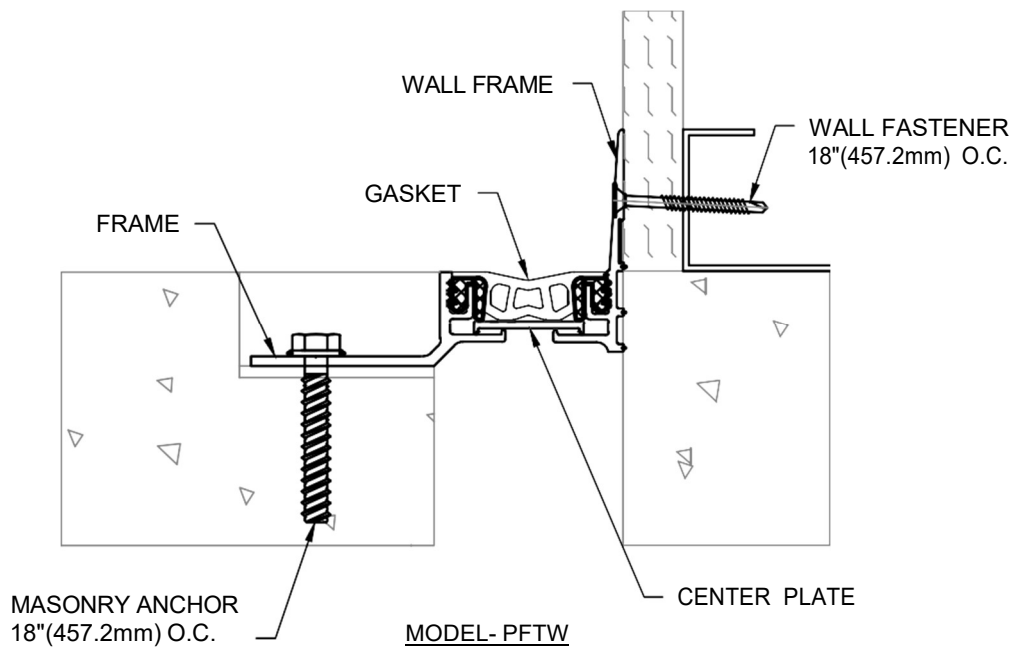
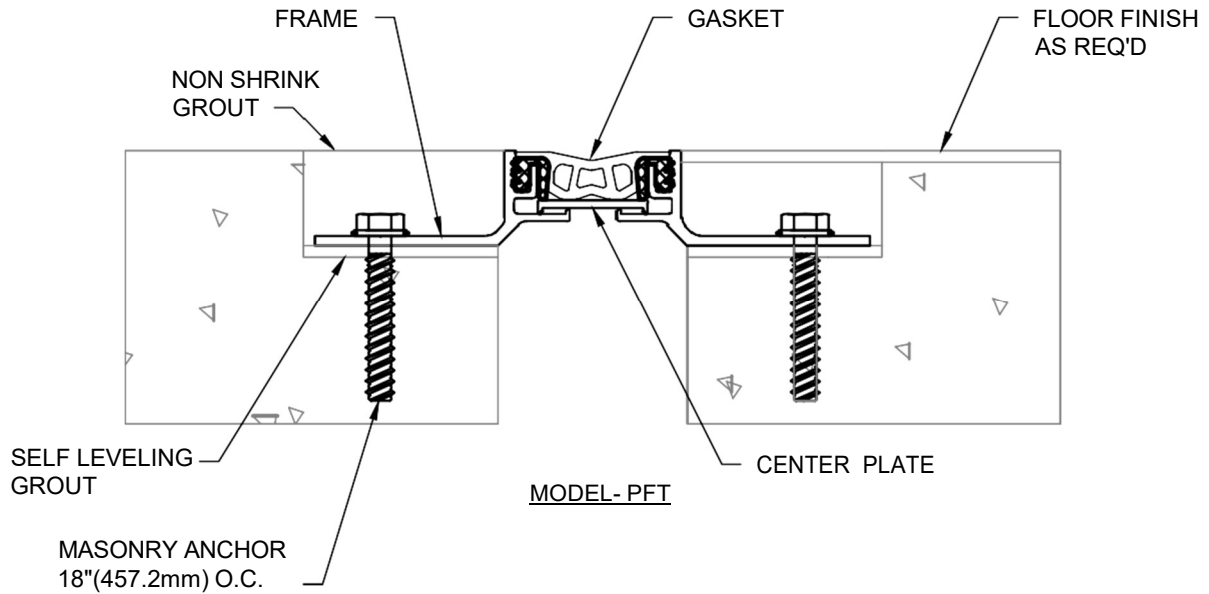
- A) Cut several 2" pieces of seal to be used as spacers. Install spacers into frames. Cut assembly to length as needed for the run.
- B) Cut the length of seal as needed for the run and install into the aluminum frames.

Recommended Installation Tips for Seal:

- 1) Unroll seal material and allow exposure to sun to soften, becoming more pliable. Spray the back of the seal with a soapy water solution, to aid in installation.
 - 2) Soak seal in a hot water bath to soften seal.
- 3.2) Using the Assembly (Frames and seal) as a template, place a length of Assembly into the blockout marking the locations of the fasteners. Remove the Assembly and drill the holes for the anchor bolts. The holes are to be drilled with the appropriate size and type of drill bit as indicated on the PS Shop Drawings or by the manufacturer of the PS supplied fasteners.
- 3.3) Reposition and attach floor frame to the slab with the supplied anchor bolt following the manufactures' guidelines. Attach the wall frame to the surface of the wall using PS supplied wall fasteners.
- 3.4) If 2" Spacers were used in frames, remove spacers once frames are installed. Insert continuous seal lengths, using tips above, into the frames. Seal can be engaged using a rubber mallet and wood block. (A seam roller may also be used to engage seal)
- 3.5) Repeat this installation procedure for any additional lengths of the assembly.

STEP 4

COMPLETE INSTALLATION



- 5.1) Fill blockout area with non-shrink grout and apply floor finish as req'd.
- 5.2) When installation of the PS Floor Expansion Joint Cover has been completed, remove all residue and foreign matter from the area and joint cover.
- 5.3) Clean the PS Joint Cover and adjoining surfaces with proper cleaner.
- 5.4) Protect the Joint Cover until Architect's final inspection.