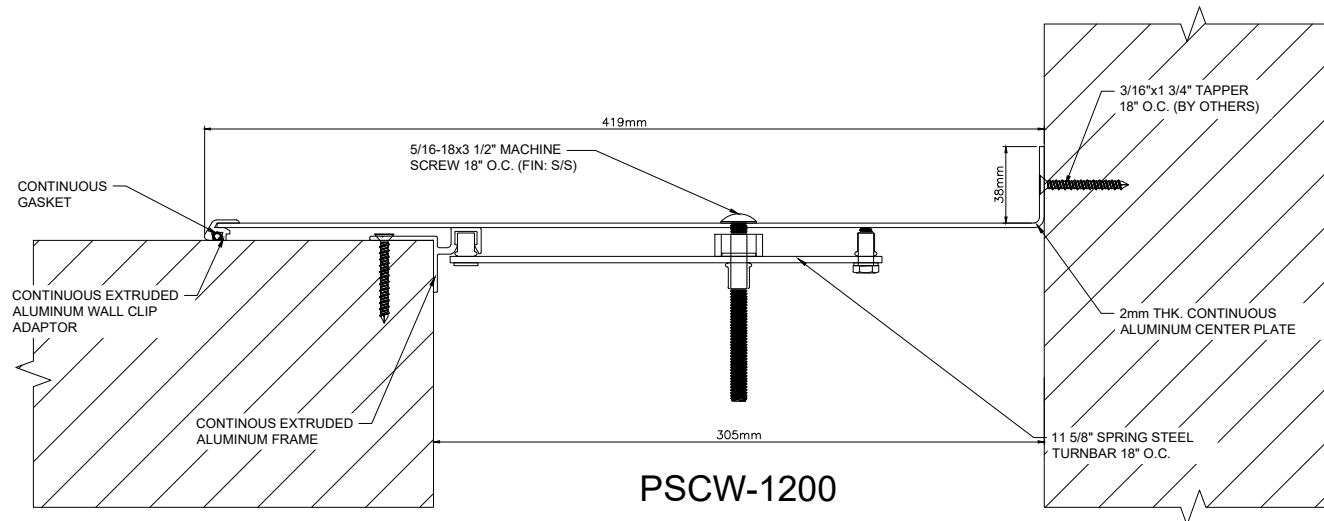


PSFW-1200



PSCW-1200

**GENERAL NOTES:-**

1. THIS IS DRAWING IS A SOLE PROPERTY OF PINNACLE SOLUTIONS. DO NOT REPRODUCE THE DRAWING.
2. DO NOT SCALE ON THE DRAWING. USE ONLY THE SIZES/DISTANCE AVAILABLE.
3. ALL DIMENSIONS ARE IN MILLIMETRES OTHERWISE SPECIFIED.

**REFERENCE DRAWING/DOCUMENT:**

<b>STATUS</b>	
ISSUED FOR APPROVAL	

DATE	REV.	DRAWING NO.	Drawn By	Checked By	App'd



**PROJECT TITLE**

**Drng. Title**  
EXPANSION JOINT DETAIL

Date: 03-08-2023	Scale: NTS
Drawing No:	Rev. RO