

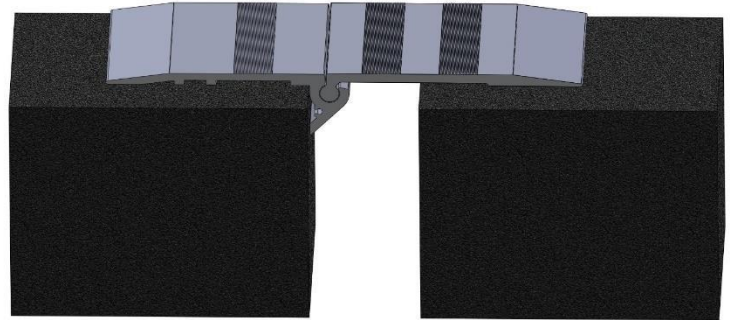
EXPANSION JOINTS COVER SYSTEMS

PFD & PFDW

Technical Data:

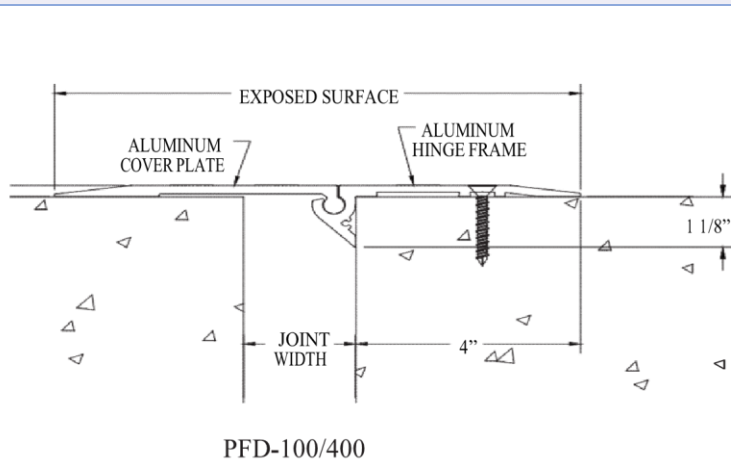
Aluminum

- Extrusion – PS uses multiple alloys & tempers which are established to be the most appropriate for the given are: (6063-T5, T6, T52).
- Profiles can be customised as per following alloy grade (6061-T5, T6, T51) (6105-T5, T6) (6005-T5) (6005A-T5, T61), as per ASTM code B221
- Sheet – 6061-T6, 3003-H14, 5005-H34, ASTM B209
- The single-hinged assembly can accommodate a 13/8" slab offset in floor elevation
- Standard Loading
2,000 lbs.

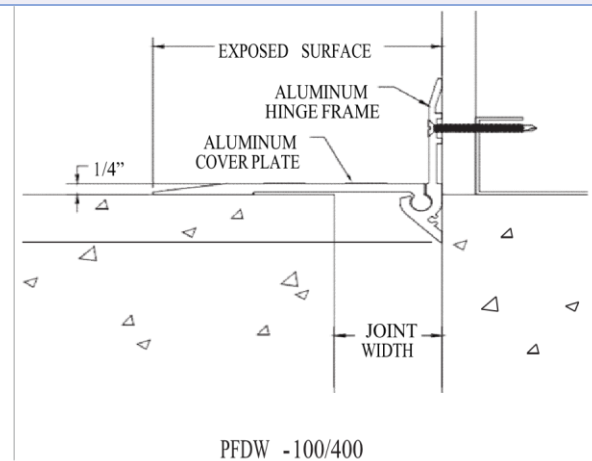


Capable of Lateral Movement

MODEL	JOINT WIDTH	MINIMUM OPENING	MAXIMUM OPENING	EXPOSED SURFACE	BLOCKOUT WIDTH	BLOCKOUT HEIGHT
PFD-200	51mm	19mm	135mm	238mm	N/A	N/A
PFD-400	102mm	19mm	188mm	288mm	N/A	N/A
PFDW-200	51mm	19mm	135mm	137mm	N/A	N/A
PFDW-400	102mm	19mm	188mm	187mm	N/A	N/A



PFD-100/400



PFDW -100/400