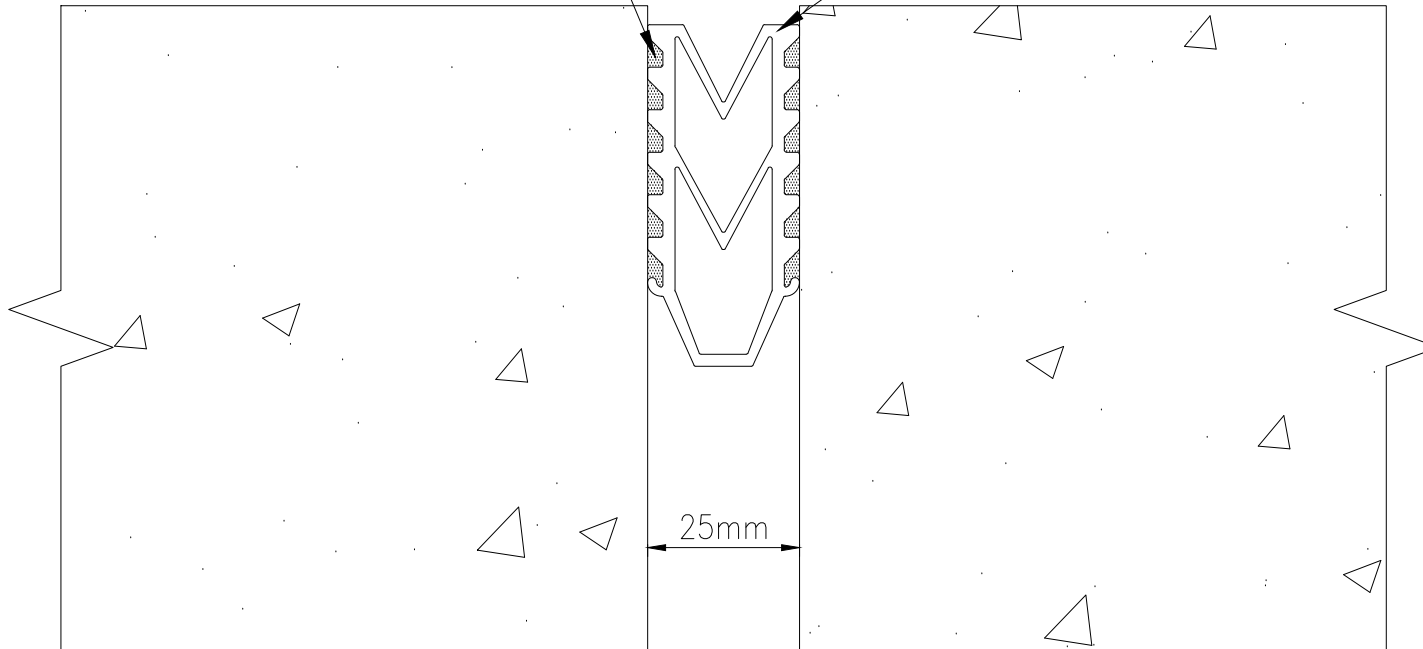


EPOXY ADHESIVE  
(FIELD APPLIED)  
BY OTHERS

COMPRESSION SEAL



**PHB-100**

**GENERAL NOTES:-**

1. THIS IS DRAWING IS A SOLE PROPERTY OF PINNACLE SOLUTIONS. DO NOT REPRODUCE THE DRAWING.
2. DO NOT SCALE ON THE DRAWING. USE ONLY THE SIZES/DISTANCE AVAILABLE.
3. ALL DIMENSIONS ARE IN MILLIMETRES OTHERWISE SPECIFIED.

**REFERENCE DRAWING/DOCUMENT:**

<b>STATUS</b>	
ISSUED FOR APPROVAL	

DATE	REV.	DRAWING NO.	Drawn By	Checked By	App'd



**PROJECT TITLE**

**Drg. Title**  
EXPANSION JOINT DETAIL

Date: 03-08-2023      Scale: NTS

<b>Drawing No:</b>	<b>Rev.</b> R0
--------------------	-------------------