

# EXPANSION JOINTS COVER SYSTEMS

## PCJ & PCJC Series

### Technical Data:

#### Aluminum

- Extrusion – P/S uses multiple alloys & tempers which are established to be the most appropriate for the given use of individual parts are (6063-T5, T6, T52).

Profiles can be customised as per following alloys (6061-T5, T6, T51) (6105-T5, T6) (6005-T5) (6005A-T5, T61), as per ASTM B221

- Sheet – 6061-T6, 3003-H14, 5005-H34, ASTM B209

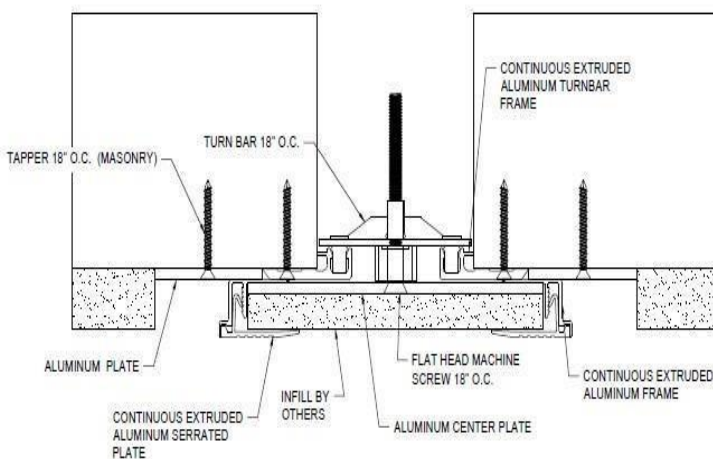
#### Turnbar

- Material – Stainless Steel Turn Bar

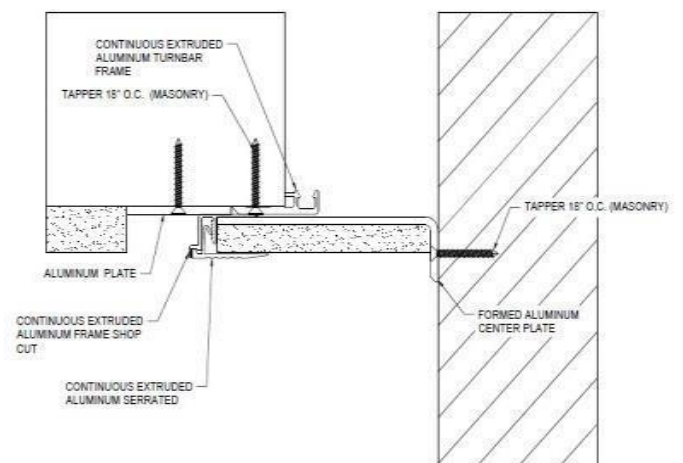
**Standard Finishes:** Mill finish



| MODEL    | JOINT WIDTH | MINIMUM OPENING | MAXIMUM OPENING | EXPOSED SURFACE | BLOCKOUT WIDTH | BLOCKOUT HEIGHT |
|----------|-------------|-----------------|-----------------|-----------------|----------------|-----------------|
| PCJ-300  | 76mm        | 46mm            | 150mm           | 283mm           | 105mm          | 43mm            |
| PCJC-300 | 76mm        | 37mm            | 112mm           | 179mm           | 105mm          | 43mm            |
| PCJ-400  | 102mm       | 50mm            | 150mm           | 283mm           | 92mm           | 27mm            |
| PCJC-400 | 102mm       | 63mm            | 140mm           | 191mm           | 92mm           | 27mm            |
| PCJ-600  | 152mm       | 60mm            | 220mm           | 370mm           | 110mm          | 27mm            |
| PCJC-600 | 152mm       | 105mm           | 195mm           | 260mm           | 110mm          | 27mm            |



PCJ



PCJC