

PCF& PCFC

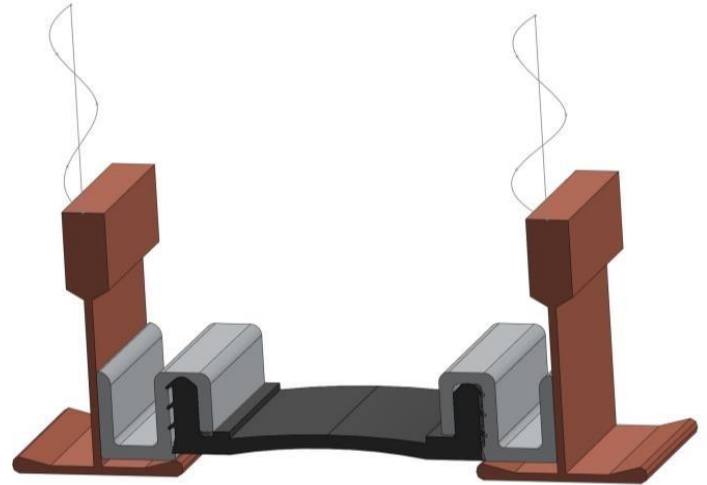
TECHNICAL DATA:

Aluminum

- Extrusion – PS uses multiple alloys & tempers which are established to be the most appropriate for the given use of individual parts are (6063-T5, T6, T52) as per ASTM B221.
- Profiles can be customised as per following alloys (6061-T5, T6, T51) (6105-T5, T6) (6005-T5) (6005A-T5, T61), as per ASTM B221.
- Aluminum in contact with concrete/masonry will have a 2 mil heavy metal free high solids primer.

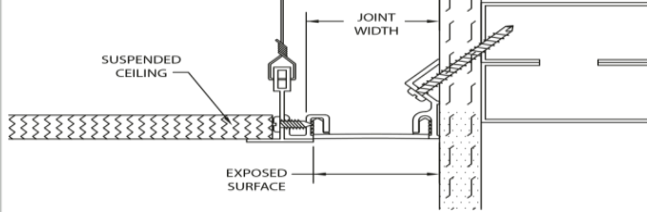
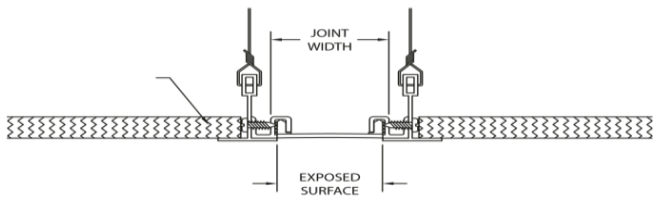
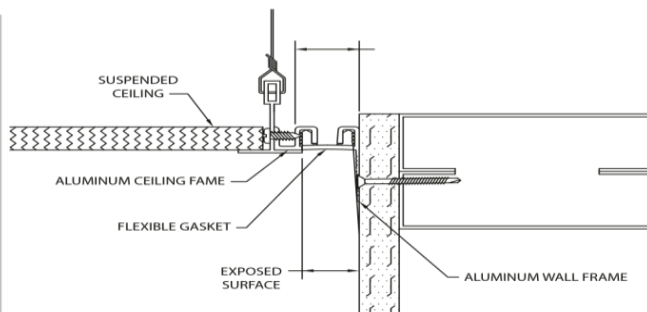
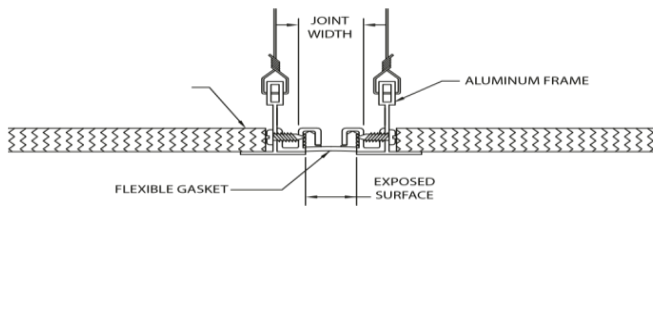
Seal

- Dual Durometer 65 Shore A, 90 Shore A, ASTM D2000
- Available in standard Black Colour.



MODEL	JOINT WIDTH	MINIMUM OPENING	MAXIMUM OPENING	EXPOSED SURFACE	BLOCKOUT WIDTH	BLOCKOUT HEIGHT
PCF-200	51mm	32mm	64mm	43mm	N/A	N/A
PCF-400	100mm	32mm	152mm	98mm	N/A	N/A
PCF-600	150mm	44 mm	229mm	148mm	N/A	N/A
PCF-800	200mm	64mm	305mm	198mm	N/A	N/A
PCF-1000	250mm	64mm	381mm	248mm	N/A	N/A
PCFC-200	51mm	38mm	64mm	44mm	N/A	N/A
PCFW-400	100mm	38mm	152mm	99mm	N/A	N/A
PCFW-600	150mm	44 mm	229mm	149mm	N/A	N/A
PCFW-800	200mm	64mm	305mm	199mm	N/A	N/A
PCFW-1000	250mm	64mm	381mm	249mm	N/A	N/A

EXPANSION JOINTS COVER SYSTEMS



PCF

PCFC