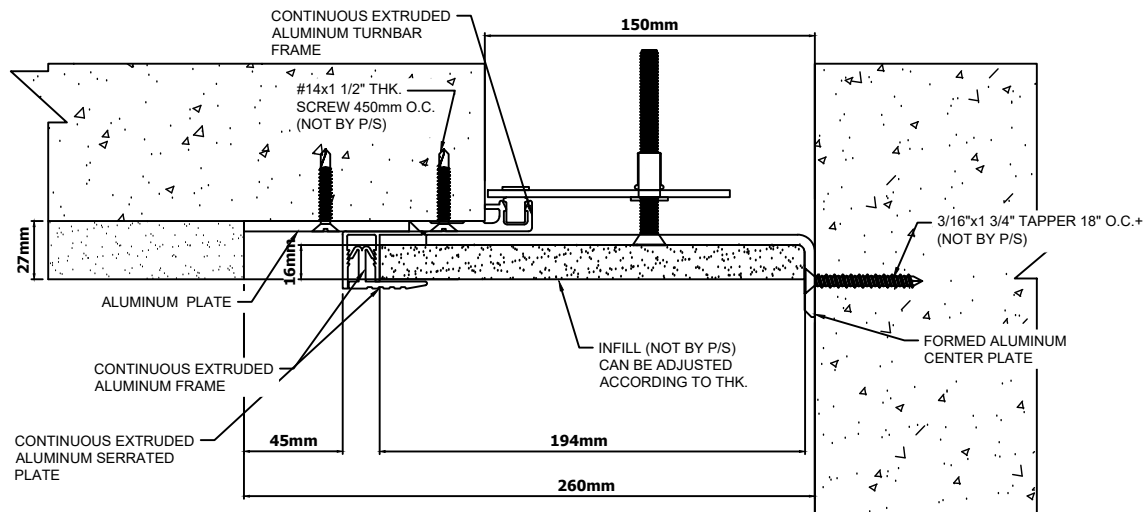


**PCJ-600**



**PCJC-600**

**GENERAL NOTES:-**

1. THIS IS DRAWING IS A SOLE PROPERTY OF PINNACLE SOLUTIONS. DO NOT REPRODUCE THE DRAWING.
2. DO NOT SCALE ON THE DRAWING. USE ONLY THE SIZES/DISTANCE AVAILABLE.
3. ALL DIMENSIONS ARE IN MILLIMETRES OTHERWISE SPECIFIED.

**REFERENCE DRAWING/DOCUMENT:**

<b>STATUS</b>					
ISSUED FOR APPROVAL					

DATE	REV.	ISSUED BY	DESIGN BY	CHECKED BY	APP'D



**PROJECT TITLE**

**Dr. Title**  
EXPANSION JOINT DETAIL OF PPTCP-1000

Date: 03-08-2023      Scale: NTS

Drawing No:      Rev. R0