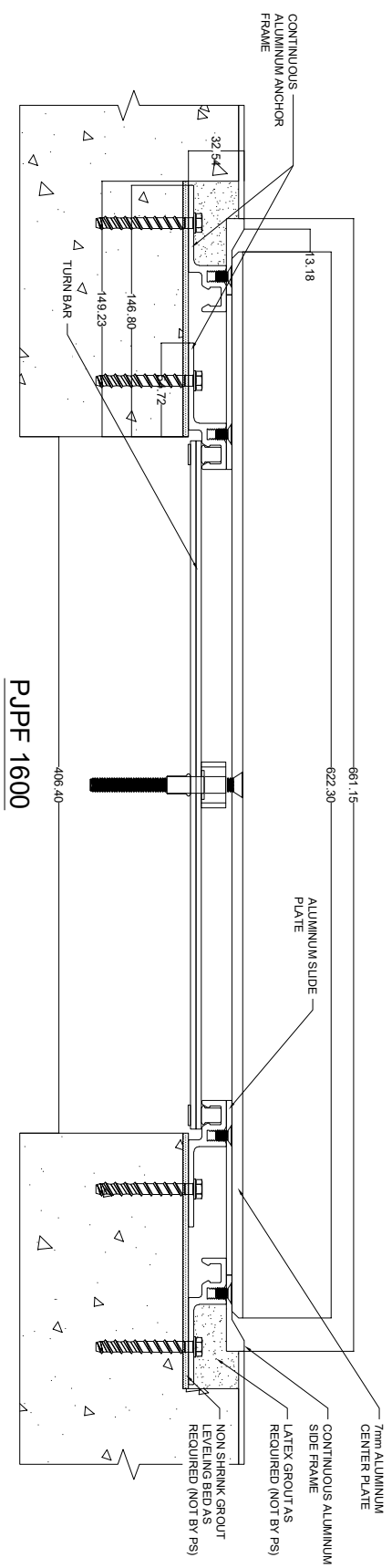
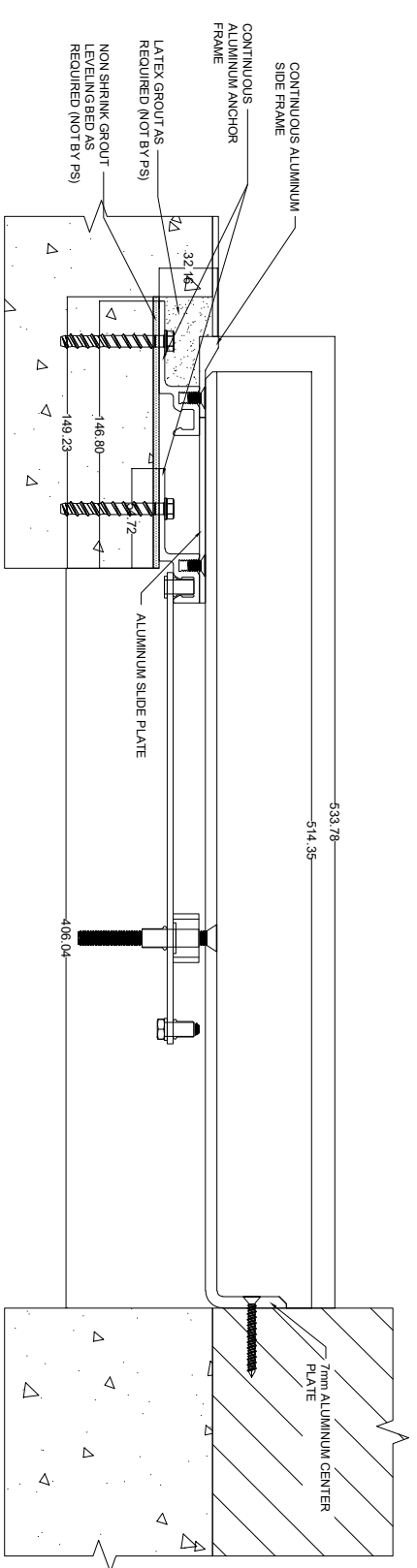


**GENERAL NOTES:-**

1. THIS IS DRAWING IS A SOLE PROPERTY OF PINNACLE. IT IS NOT TO BE REPRODUCED OR COPIED WITHOUT THE WRITTEN PERMISSION OF PINNACLE.
2. DO NOT SCALE ON THE DRAWING. USE ONLY THE SIZES/DISTANCE AVAILABLE.
3. ALL DIMENSIONS ARE IN MILLIMETRES UNLESS OTHERWISE SPECIFIED.



**PJPFW 1600**



**PJPFW 1600**

REFERENCE DRAWING/DOCUMENT:	
STATUS	
ISSUED FOR APPROVAL	
DATE	ISSUED BY
DATE	ISSUED BY
DATE	ISSUED BY
DATE	ISSUED BY
DATE	ISSUED BY

**PINNACLE**  
EXPANSION JOINTS COVER SYSTEMS  
PROJECT TITLE

Dwg. Title  
**EXPANSION JOINT DETAIL**

Date: 22-06-2023      Scale: NTS

Drawing No:      Rev: R0