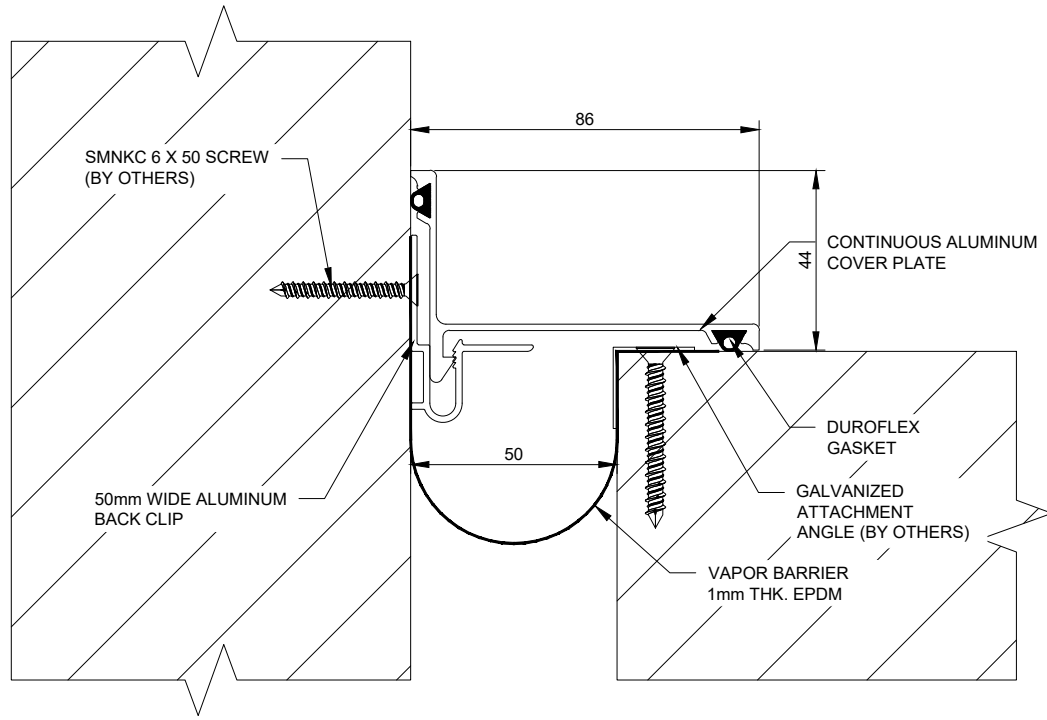



PSM-200x



PSMC-200x

- GENERAL NOTES:-**
1. THIS IS DRAWING IS A SOLE PROPERTY OF PINNACLE SOLUTIONS. DO NOT REPRODUCE THE DRAWING.
  2. DO NOT SCALE ON THE DRAWING. USE ONLY THE SIZES/DISTANCE AVAILABLE.
  3. ALL DIMENSIONS ARE IN MILLIMETRES OTHERWISE SPECIFIED.

REFERENCE DRAWING/DOCUMENT:					
STATUS					
ISSUED FOR APPROVAL					
DATE	REV.	DRAWING NO.	Drawn By	Checked By	App'd
 <b>PINNACLE</b> <small>EXPANSION JOINTS COVER SYSTEMS</small>					
PROJECT TITLE					
Drg. Title					
EXPANSION JOINT DETAIL					
Date: 03-08-2023			Scale: NTS		
Drawing No:					Rev. R0