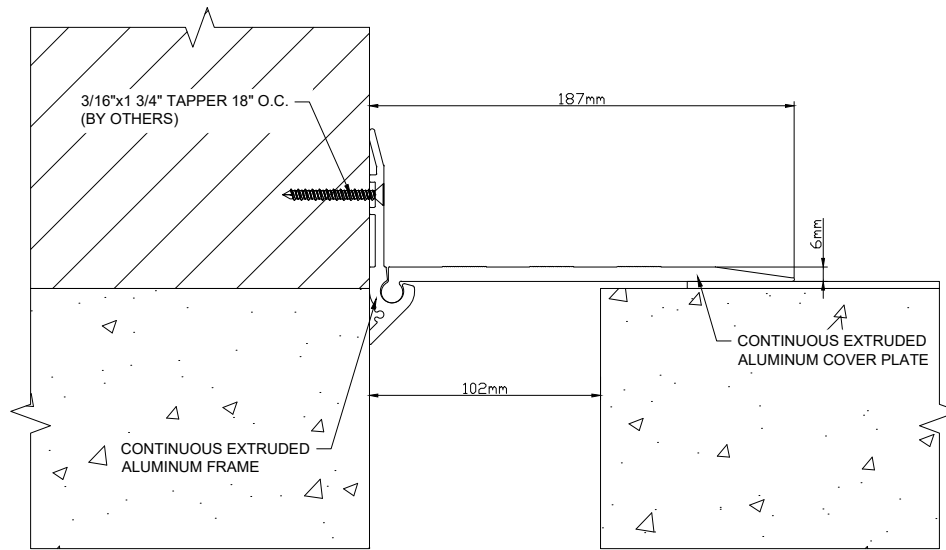


PFD-400



PFDW-400

GENERAL NOTES:-

1. THIS IS DRAWING IS A SOLE PROPERTY OF PINNACLE SOLUTIONS. DO NOT REPRODUCE THE DRAWING.
2. DO NOT SCALE ON THE DRAWING. USE ONLY THE SIZES/DISTANCE AVAILABLE.
3. ALL DIMENSIONS ARE IN MILLIMETRES OTHERWISE SPECIFIED.

REFERENCE DRAWING/DOCUMENT:

| | |
|---------------------|--|
| STATUS | |
| ISSUED FOR APPROVAL | |

| | | | | | |
|--|--|--|--|--|--|
| | | | | | |
|--|--|--|--|--|--|

| DATE | REV. | DRAWING NO. | Drawn By | Checked By | App'd |
|------|------|-------------|----------|------------|-------|
| | | | | | |



PROJECT TITLE

Drg. Title
EXPANSION JOINT DETAIL

Date: 03-06-2023 Scale: NTS

| | |
|-------------|------------|
| Drawing No: | Rev. R0 |
|-------------|------------|