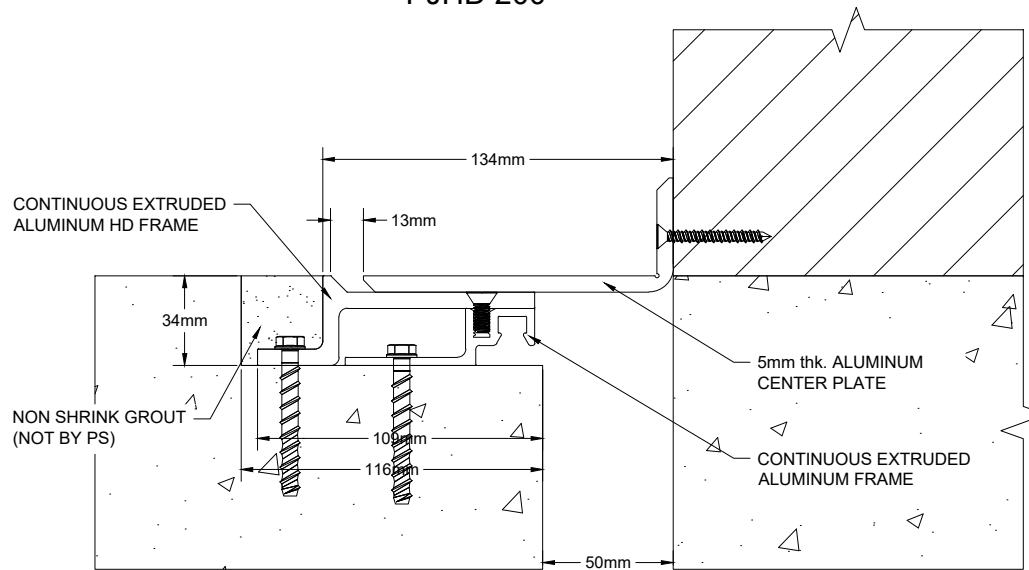


PJHD 200



PJHDW 200

**GENERAL NOTES:-**

1. THIS IS DRAWING IS A SOLE PRPTY OF PINNACLE SOLUTIONS. DO NOT REPRODUCE THE DRAWING.
2. DO NOT SCALE ON THE DRAWING. USE ONLY THE SIZES/DISTANCE AVAILABLE.
3. ALL DIMENSIONS ARE IN MILLIMETRES OTHERWISE SPECIFIED.

REFERENCE DRAWING/DOCUMENT:

|                     |
|---------------------|
| STATUS              |
| ISSUED FOR APPROVAL |

| DATE | REV. | DRAWING NO. | Drawn By | Checked By | App'd |
|------|------|-------------|----------|------------|-------|
|      |      |             |          |            |       |



PROJECT TITLE

Dr. Title  
EXPANSION JOINT DETAIL

Date: 03-08-2023 Scale: NTS

Drawing No: Rev. R0